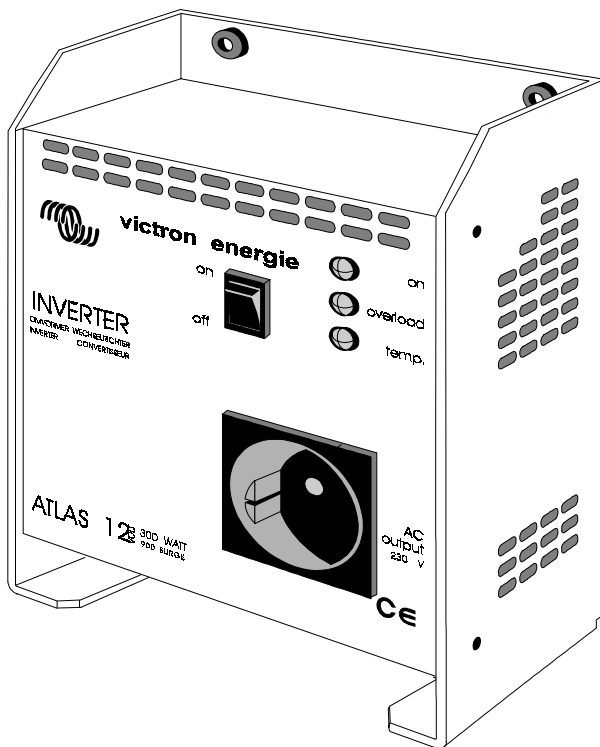




victron energie

USER MANUAL GEBRUIKSAANWIJZING

ATLAS 12/300
ATLAS 24/300



CE

SECTIONS

English	page	7
Nederlands	pagina	21

Victron Energie BV
De Paal 35
1351 JG Almere-Haven
The Netherlands

phone: ** 31 - (0) 36 - 535 9700
fax: ** 31 - (0) 36 - 531 1666

Article number : MANU0101000
Document number: AT010101
Version : KME 0001
Date : 15 June 1998

Subject to change without notice. * Wijzigingen onder voorbehoud.





**USER MANUAL : ENGLISH
ATLAS 12/300 AND ATLAS 24/300**

CONTENTS	PAGE
1. INTRODUCTION	7
1.1 General	7
1.2 Warnings	8
2. DESCRIPTION	9
2.1 The Atlas inverter	9
2.2 Protection devices	9
3. INSTRUCTIONS FOR USE	11
3.1 Installation	11
3.2 Connections	11
3.3 Operation	13
3.4 Maintenance	13
4. OPTIONS	14
4.1 Remote control	14
4.2 Altering the output voltage	14
5. TROUBLESHOOTING	16
6. TECHNICAL SPECIFICATIONS	17
6.1 Input	17
6.2 Output	17
6.3 Protection devices	18
6.4 Standards	18
6.5 Mechanical	18



1. INTRODUCTION

1.1 General

Victron Energie

Victron Energie is known internationally for the development and manufacture of electrical energy supply systems. This is due to the constant attention given by the development department to product research and the application of new technologies in its products.

Victron Energie systems provide high quality energy supplies in places where there is no permanent connection to the electricity mains.

A stand-alone automatic energy supply system may consist of a Victron Energie inverter, a Victron Energie storage battery charger, a Victron Energie Mains Manager if required and storage batteries with sufficient capacity.

The possibilities and applications in the field, on ships or in other places where a mobile 230 Vac alternating current source is required are very numerous. Victron Energie equipment can be used for all types of electrical appliances for which a high quality energy supply is required. These may be domestic, technical or office equipment, or an instrument which is sensitive to interference.

The Atlas 12/300 and 24/300

These instructions describe the installation, functions and use of the Atlas 12/300 and 24/300 inverters including the provisions for protection.

1.2 Warnings



The inverter casing must be opened only by a qualified electrician. Before the casing is opened, the inverter must be switched off.



A dangerous voltage is present on some metal parts of the components in the inverter.



The converter is NOT protected against polarity reversal of the connected storage battery ("+" connected to "-" and "-" connected to "+"). Follow the connection procedure. The factory guarantee is void if a fault is caused to the inverter due to polarity reversal.



The inverter will be seriously damaged if a different alternating voltage is applied to the 230 Vac output (e.g. from a generator). This damage is not covered by the factory guarantee.



The on/off switch on the front of the inverter does not switch off the storage battery voltage.



2. DESCRIPTION

2.1 The Atlas inverter

The Atlas 12/300 is a 12 Volt, 300 Watt inverter. The Atlas 24/300 is a 24 Volt, 300 Watt inverter. All Atlas inverters are tested for serviceability and stoutly packaged for shipment. The Atlas is housed in a robust aluminium casing suitable for floor or wall mounting. The connections are located on the underside of the casing. The Atlas produces an alternating voltage of 230 Vac/50 Hz from a 12Vdc or 24Vdc voltage (depending on the type).

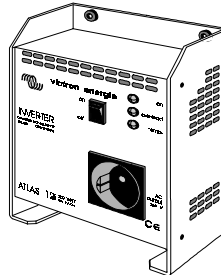


Figure 1.
The Atlas inverter

As the frequency is crystal controlled, a stable 50 Hz is guaranteed. This means that video recorder clocks, clock radios and similar continue to run in synchronism.

By using high frequency switching techniques, a high level of efficiency is assured. The internal consumption (no-load consumption) of the Atlas is low. The Atlas can be connected to practically all types of electrical and electronic equipment.

2.2 Protection devices

The many built-in protection devices make the Atlas extremely reliable. This section explains the protection devices in more detail. For the precise values see the technical specifications in section 6.

Short-circuit protection

The output of the Atlas is short-circuit protected. As soon as the short-circuit is removed, the Atlas immediately resumes working. For this reason, incorporation of a fuse in the output of the Atlas is unnecessary.

Temperature protection

The internal temperature of the electronics is measured continuously. Before the temperature rises too high because of a high ambient temperature, the Atlas switches off. The red “temperature” LED then comes on. The Atlas starts again automatically as soon as the temperature has fallen sufficiently.

Overload protection

The overload protection comes into operation when too great a load is connected to the Atlas. The overload protection operates as follows:

- The red “overload” LED comes on as soon as too great a load is connected to the Atlas.
- If the load has fallen sufficiently within 10 seconds, the Atlas usually continues to operate and the red “overload” LED goes out again.
- If the load has not fallen sufficiently within 10 seconds, the Atlas switches off and the red “overload” LED stays alight. As soon as the load has fallen sufficiently, the Atlas switches on again after 20 seconds and the red “overload” LED goes out.

Input voltage protection

The Atlas switches off if the input voltage is too low. The Atlas switches on again as soon as the input voltage has risen to normal again.

The Atlas switches off if the input voltage is too high. The Atlas switches on again as soon as the input voltage has fallen to normal again.

3. INSTRUCTIONS FOR USE

3.1 Installation

The Atlas should be installed in a dry, well ventilated area. Ensure adequate ventilation in view of the heat which is produced by the Atlas. When the ambient temperature is high, the power which can be delivered will decrease, efficiency will become lower and the service life shorter.

The Atlas is suitable for wall or floor mounting. The dimensions of the Atlas and the positions of the attachment holes are shown in the drawing in section 6. Make sure that the inside is still properly accessible after the Atlas is installed.

Ensure that the distance between the Atlas and the storage battery is as short as possible: this distance must be no more than 6 metres.

3.2 Connections

The power point (AC output) is located on the front of the Atlas. The connections for the 12Vdc or 24Vdc input, the earth connection and remote control are located on the underside of the casing, see figure 2.

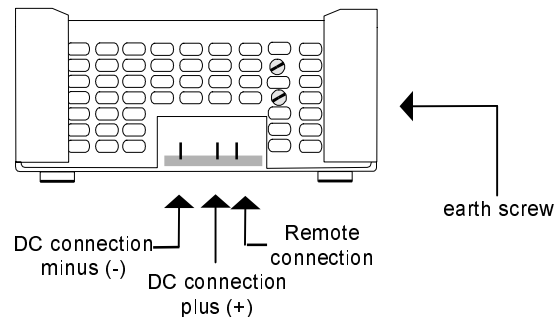


Figure 2.
Underside view of the Atlas.

Earth connection

The earth screw of the Atlas must be connected to an actual earth point. The earth screw is located on the underside of the Atlas casing.

The connection to the electricity mains must be in accordance with the safety requirements in force.

- On a boat: Connect the earth screw to the earth plate or the skin of the ship
- On land: Connect the earth screw to the earth of the electricity mains.
- With mobile applications (car, caravan, etc.): Connect the earth screw to the chassis of the vehicle.

Storage battery connection



The inverter is **NOT** protected against polarity reversal of the connected storage battery ("+" connected to "-" and "-" connected to "+"). Follow the connection procedure. The factory guarantee is void if a fault is caused to the inverter due to polarity reversal

The connections for the storage battery are located on the underside of the Atlas casing.

- Connect the negative (-) pole of the battery to the negative (-) battery connection on the Atlas.
- Connect the positive (+) pole of the battery to the positive (+) battery connection on the Atlas.

As the connections between the storage batteries and the Atlas are extremely important for the correct working of the Atlas, tighten the cable connections properly and use cables which are as short and thick as possible to minimise the voltage drop between the Atlas and the battery. The shorter and thicker the cables, the lower their resistance.

Cables longer than 6 metres are not advisable. The table below gives the minimum recommended cross-sections for the copper core of the battery cables.

Cable length	Cable diameter Atlas 12/300	Cable diameter Atlas 24/300
up to 1.5 m	6 mm ²	2.5 mm ²
between 1.5 and 6 m	10 mm ²	6 mm ²

230 Vac connection

The 230Vac power point (AC output) is located on the front of the Atlas. No adapters are required for connecting appliances to the 230 Volt output. The plug of the appliance to be connected is simply plugged into the power point on the Atlas. The lead of the appliance to be connected must not be longer than 25 metres.



The inverter will be seriously damaged if a different alternating voltage is applied to the 230 Vac output (e.g. from a generator). This damage is not covered by the factory guarantee.

3.3 Operation

The switch and the indicator LEDs are located on the front of the Atlas, see figure 3.

“On” position

Switch the Atlas on by moving the switch to the “on” position.

The “on” LED lights up as soon as a voltage is present at the output.

Overload

The “overload” LED lights up if the Atlas is overloaded.

Temperature too high

The “temperature” LED lights up if the electronics in the Atlas overheat as a result of too high an ambient temperature.

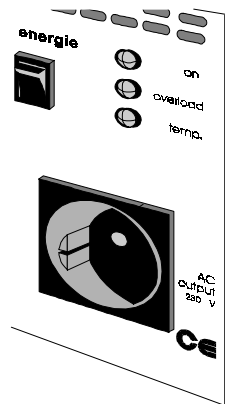


Figure 3. Location of the switch and indicator LEDs.

3.4 Maintenance

The Atlas requires no specific maintenance. An annual check of the electrical connections is recommended. Keep the Atlas as dry, clean and dust-free as possible.

4. OPTIONS

4.1 Remote control

A remote control can be connected to the Atlas for switching on and off. The connection is made by fitting a switch between the “remote” and “+” terminals, see figure 4. When the switch is closed, the Atlas is switched on.

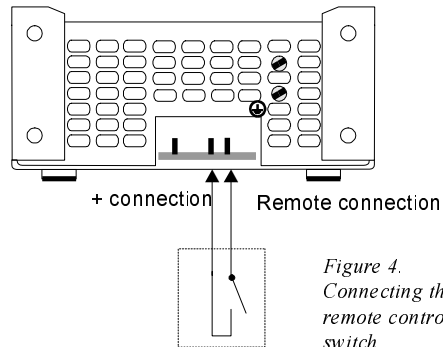


Figure 4.
Connecting the
remote control
switch.

4.2 Altering the output voltage



The inverter casing must be opened only by a qualified electrician. Before the casing is opened, the inverter must be switched off.



A dangerous voltage is present on some metal parts of the components in the inverter

The output voltage is set in the factory to 225Vac_{rms} with a load of 300W and 12Vdc (or 24Vdc) input voltage.

To alter the output voltage, proceed as follows:

- Open the casing by removing the screws on the left and right hand sides and then removing the cover, see figure 5.

- The adjustment point, potentiometer P1, is to be found on the printed circuit board in the Atlas as shown in figure 6.
- The output voltage can be altered by turning potentiometer P1. Always measure the output voltage of the Atlas with a true RMS voltmeter.

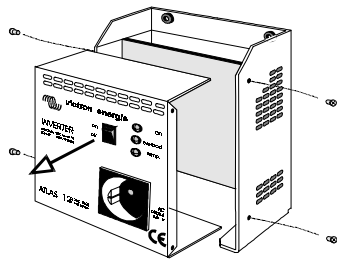


Figure 5.
Opening the casing.

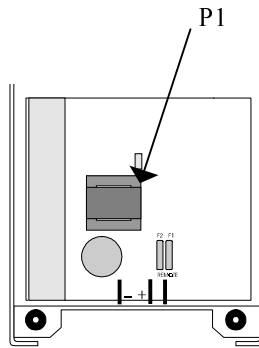


Figure 6.
Location of potentiometer P1 on the printed circuit board.

5. TROUBLESHOOTING

If a fault occurs, some points can be checked. Before checks are carried out on the Atlas, all equipment connected to the storage battery connections of the Atlas must be disconnected. Some appliances such as certain televisions, videos, audio equipment, measuring instruments and navigation equipment give trouble-free operation only on a sine-wave voltage.

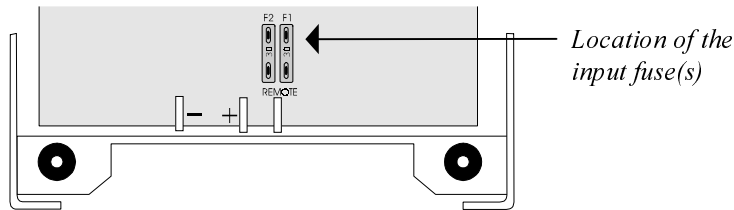
If the fault cannot be rectified, consult your Victron Energie dealer.

Problem	Possible cause	Solution
The Atlas does not work when switched on.	Too high a load has been connected to the output of the Atlas.	Remove the load from the Atlas.
	The input voltage is too high or too low.	Make sure that the input voltage is brought within the correct values. Check the voltage drop across the battery cables.
	The battery cables are not properly connected or are the wrong diameter.	Connect the battery cables properly and check the cable diameter.
	The plus (+) and the minus (-) of the Atlas do not correspond to the poles of the battery.	Switch off the Atlas and connect the battery correctly to the Atlas. Check the input fuse(s) and replace these if necessary.
The output voltage is too high or too low.	The output voltage has been measured with the wrong voltmeter.	Measure the output voltage with a true RMS voltmeter.
	Potentiometer P1 is wrongly adjusted.	Adjust the output voltage with potentiometer P1 again and check whether the output voltage assumes the correct value, see section 4.

6. TECHNICAL SPECIFICATIONS

6.1 Input

	Atlas 12/300	Atlas24/300
Input voltage nominal	12 Vdc	24 Vdc
Input voltage range	11.0-15.5 Vdc	22.0-30.5 Vdc
Switch-on voltage low:	11.0 Vdc	22.5 Vdc
high:	15.5 Vdc	31.0 Vdc
Switch-off voltage low:	9.0 Vdc	19.0 Vdc
high:	16.0 Vdc	32.0 Vdc
Voltage ripple	Max. 5% RMS	Max. 5% RMS
Input current nominal	27 A	14 A
Input current maximum	89 A	42 A
No load	5 W	5 W
Input fuses	2x 30A car fuse	1x 30A car fuse



6.2 Output

Output voltage	225 Vac +/- 5% at 300W
Frequency	50Hz +/- 0.01Hz.
Output voltage form	Trapezoidal (modified sine wave).
Cos phi	0.9 capacitive to 0.4 inductive.
Nominal power	300W (cos phi = 1,0) -10°C / + 25°C. When the ambient temperature is high the power is automatically decreased.
Temporary max. power	400W for 10 minutes (cos phi = 1)
Efficiency	93% (at 100% load, cos phi = 1)

6.3 Protection devices

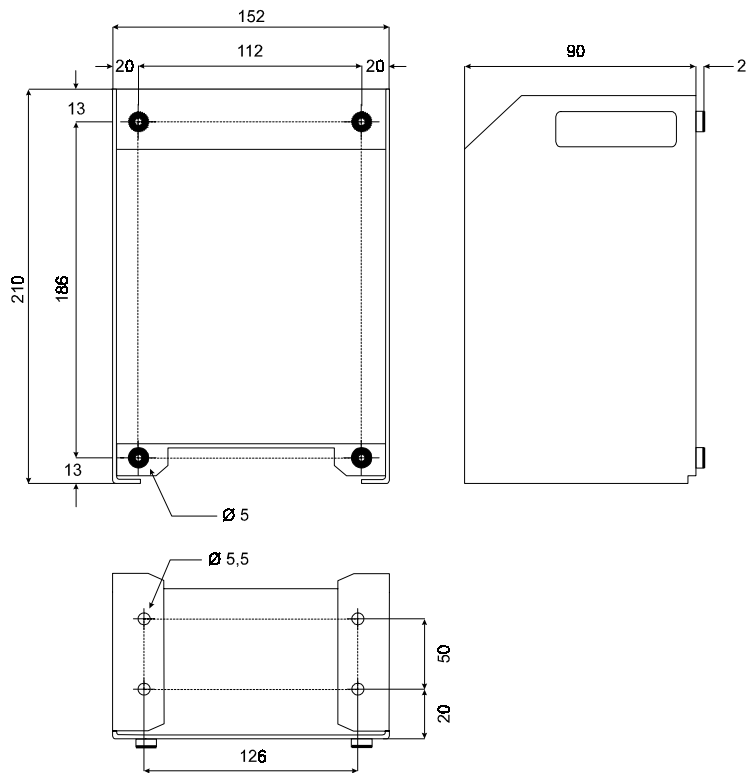
Overload protection	The Atlas automatically switches off after 10 seconds as soon as the load exceeds 450W .
Short-circuit protection	The output is short-circuit proof. The short-circuit current at the input is 5.0A (12/300) and 3.0A (24/300) respectively.
Temperature protection	The temperature of critical parts is measured. If it becomes too high, the Atlas switches off. After cooling down, the Atlas switches on again automatically.
High/low Input voltage protection	The Atlas switches off automatically.

6.4 Standards

EMC	Electromagnetic compatibility in accordance with Directive 89/336 EEC
Emission product standard	EN55014: 1993
Immunity product standard	EN55104: 1995
Safety standard	EN60950: 1997

6.5 Mechanical

Case	Aluminium, seawater-resistant
Protection	IP 20
Colour	blue (RAL 5012), epoxy coating
Dimensions (H x W x D)	210 x 155 x 90 mm
Weight	1.45 kg
Connections	
AC Output	Power point on the front
DC Input	3.8 x 0.6 mm fastons on printed circuit board
Earth	M4 screw on underside
Remote control	3.8 x 0.6 mm faston on printed circuit board
Cooling	Natural cooling without fan
Noise level	40 dB(A)
Relative humidity	maximum 95%



All sizes in mm
 Alle afmetingen in mm

**GEBRUIKSAANWIJZING NEDERLANDS
ATLAS 12/300 EN ATLAS 24/300**

INHOUD	PAGINA
1. INLEIDING	22
1.1 Algemeen	22
1.2 Waarschuwingen	23
2. BESCHRIJVING	24
2.1 De Atlas omvormer	24
2.2 Beveiligingen	24
3. GEBRUIKSRICHTLIJNEN	26
3.1 Installatie	26
3.2 Aansluitingen	26
3.3 Bediening	28
3.4 Onderhoud	28
4. OPTIES	29
4.1 Afstandsbediening	29
4.2 Veranderen van de uitgangsspanning	29
5. STORINGEN	31
6. TECHNISCHE SPECIFICATIES	32
6.1 Ingang	32
6.2 Uitgang	32
6.3 Beveiligingen	33
6.4 Normen	33
6.5 Mechanisch	33

1. INLEIDING

1.1 Algemeen

Victron Energie

Victron Energie is internationaal bekend door het ontwerpen en het fabriceren van elektrische energievoorzieningsystemen. Dit is te danken aan de voortdurende aandacht die de ontwikkelingsafdeling besteedt aan productonderzoek en het toepassen van nieuwe technologieën in haar producten.

Victron Energiesystemen zorgen voor een kwalitatief hoogwaardige energievoorziening op plaatsen waar geen permanente aansluiting op het elektriciteitsnet aanwezig is.

Een “stand alone” automatisch werkend energievoorzieningssysteem kan bestaan uit: Een Victron Energie omvormer, een Victron Energie acculader, eventueel een Victron Energie Mains Manager en accu's met voldoende capaciteit.

De mogelijkheid en toepassingen in het veld, op schepen of op andere plaatsen waar een mobiele 230Vac wisselspanningsbron nodig is zijn legio. Victron Energie-apparatuur is te gebruiken voor alle soorten elektrische apparaten waarvoor een energievoorziening van hoge kwaliteit vereist is. Dit kan zowel huishoudelijke, technische of administratieve apparatuur zijn maar kan ook een storingsgevoelig instrument zijn.

De Atlas 12/300 en 24/300

Deze handleiding beschrijft de installatie, de functionaliteit en het gebruik van de Atlas 12/300 en 24/300 omvormer inclusief de beveiligingsvoorzieningen.

1.2 Waarschuwingen



De behuizing van de omvormer mag alleen geopend worden door een bevoegd elektricien. Voordat de behuizing geopend wordt moet de omvormer afgeschakeld worden.



Er staat een gevaarlijke spanning op sommige metalen delen van de componenten in de omvormer.



De omvormer is NIET beveiligd tegen ompoling van de aangesloten accu ("+" aangesloten op "-" en "-" aangesloten op "+"). Volg de aansluitprocedure. De fabrieksgarantie vervalt wanneer er door ompoling een defect aan de omvormer is ontstaan.



De omvormer wordt ernstig beschadigd wanneer op de 230Vac uitgang een andere wisselspanning wordt gezet (bv. van een generator). Deze beschadiging valt niet onder de fabrieksgarantie.



De aan/uit schakelaar op het front van de omvormer schakelt niet de accuspanning uit.

2. BESCHRIJVING

2.1 De Atlas omvormer

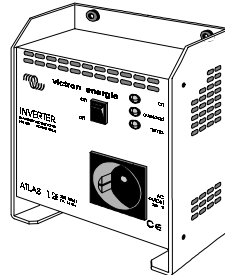
De Atlas 12/300 is een 12 Volt, 300 Watt omvormer. De Atlas 24/300 is een 24 Volt, 300 Watt omvormer. Alle Atlas omvormers zijn op functionaliteit getest en degelijk verpakt voor transport. De Atlas is ondergebracht in een robuuste aluminium behuizing geschikt voor vloer- of wandmontage. De aansluitingen bevinden zich aan de onderzijde van de behuizing.

De Atlas maakt van 12Vdc of van 24Vdc spanning (afhankelijk van het type) een wisselspanning van 230Vac/50 Hz.

Doordat de frequentie kristal gestuurd wordt is een stabiele 50 Hz gewaarborgd. Hierdoor blijven videorecorderklokken, klokradio's e.d. synchroon lopen.

Door toepassing van hoogfrequent schakeltechnieken is een hoog rendement gewaarborgd. Het eigen verbruik (het nullastverbruik) van de Atlas is laag.

De Atlas kan op vrijwel alle soorten elektrische en elektronische apparatuur worden aangesloten.



Afbeelding 1.
De Atlas omvormer.

2.2 Beveiligingen

De Atlas is door de vele ingebouwde beveiligingen uitermate bedrijfszeker. In dit hoofdstuk worden de beveiligingsvoorzieningen nader toegelicht. Voor de exacte waarden zie de technische specificaties in hoofdstuk 6.

Kortsluitbeveiliging

De uitgang van de Atlas is beveiligd tegen kortsluiting. Zodra de kortsluiting wordt opgeheven hervat de Atlas onmiddellijk zijn werking. Het is daarom overbodig om een zekering in de uitgang van de Atlas op te nemen.

Temperatuurbeveiliging

De interne temperatuur van de elektronica wordt continu gemeten.

Voordat de temperatuur door een hoge omgevingstemperatuur te hoog oploopt, schakelt de Atlas uit. De rode "temperature" led gaat dan aan.

De Atlas start weer automatisch zodra de temperatuur voldoende is gedaald.

Overbelastingsbeveiliging

De overbelastingsbeveiliging treedt in werking wanneer er een te grote belasting op de Atlas wordt aangesloten. De overbelastingsbeveiliging werkt als volgt:

- De rode “overload” led begint te branden zodra er een te grote belasting op de Atlas is aangesloten.
- Wanneer binnen 10 seconden de belasting voldoende gedaald is, blijft de Atlas gewoon doorwerken en gaat de rode “overload” led weer uit.
- Wanneer binnen 10 seconden de belasting niet voldoende gedaald is, schakelt de Atlas uit en blijft de rode “overload” led branden. Zodra de belasting voldoende gedaald is, schakelt de Atlas na 20 seconden weer in en gaat de rode “overload” led uit.

Ingangsspanningsbeveiliging

De Atlas schakelt uit wanneer de ingangsspanning te laag is. De Atlas schakelt weer in zodra de ingangsspanning weer tot normale waarde is gestegen.

De Atlas schakelt uit wanneer de ingangsspanning te hoog is. De Atlas schakelt weer in zodra de ingangsspanning weer tot normale waarde is gedaald.

3. GEBRUIKSRICHTLIJNEN

3.1 Installatie

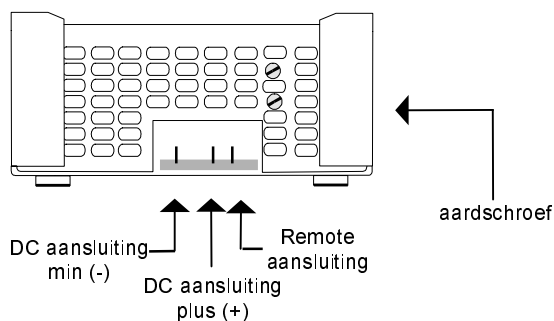
Installeer de Atlas in een droge en goed geventileerde ruimte. Let op voldoende ventilatie met het oog op de warmte welke geproduceerd wordt door de Atlas. Bij een hoge omgevingstemperatuur zal het te leveren vermogen afnemen, het rendement lager worden en de levensduur korter zijn.

De Atlas is geschikt voor montage aan de wand of op de vloer. De afmetingen van de Atlas en de plaats van de bevestigingsgaten staan in de tekening in hoofdstuk 6. Let er op dat, na installatie van de Atlas, de binnenzijde goed bereikbaar blijft.

Zorg dat de afstand tussen de Atlas en de accu zo kort mogelijk is, deze afstand mag maximaal 6 meter zijn.

3.2 Aansluitingen

De wandcontactdoos (AC output) bevindt zich op de voorzijde van de Atlas. De aansluitingen voor de 12Vdc of de 24Vdc ingang, de aardaansluiting en de afstandsbediening bevinden zich aan de onderzijde van de behuizing, zie afbeelding 2.



Afbeelding 2.
Onderaanzicht van de Atlas.

Aardaansluiting

De aardschroef van de Atlas moet verbonden zijn met een echt aardpunt. De aardschroef bevindt zich aan de onderzijde van de Atlas behuizing.

De aansluiting op het electriciteitsnet moet in overeenstemming zijn met de geldende veiligheidseisen.

- Op een boot: Verbind de aardschroef met de aardplaat of de scheepshuid.
- Aan land: Verbind de aardschroef met de aarde van het electriciteitsnet.
- Bij mobiele toepassingen (auto, caravan, etc.): Verbind de aardschroef met het chassis van het voertuig.

Accu-aansluiting



De omvormer is NIET beveiligd tegen ompoling van de aangesloten accu ("+" aangesloten op "-" en "-" aangesloten op "+"). Volg de aansluitprocedure. De fabrieksgarantie vervalt wanneer er door ompoling een defect aan de omvormer is ontstaan.

De aansluitingen voor de accu bevinden zich aan de onderzijde van de Atlas behuizing.

- Sluit de negatieve (-) accu pool aan op de negatieve (-) accu aansluiting van de Atlas.
- Sluit de positieve (+) accu pool aan op de positieve (+) accu aansluiting van de Atlas.

De aansluitingen tussen de accu's en de Atlas zijn uitermate belangrijk voor de goede werking van de Atlas. Draai daarom de kabelverbindingen goed aan en gebruik zo kort en zo dik mogelijke kabels om het spanningsverlies tussen de Atlas en de accu tot een minimum te beperken. Hoe korter en dikker de kabels zijn, des te geringer is hun weerstand.

Kabels langer dan 6 meter worden afgeraden. Onderstaande tabel geeft de aanbevolen minimum doorsneden voor de koperkern van de accukabels.

Kabel lengte	Kabel diameter Atlas 12/300	Kabel diameter Atlas 24/300
tot 1,5 m	6 mm ²	2,5 mm ²
tussen 1,5 and 6 m	10 mm ²	6 mm ²

230Vac-aansluiting

De 230Vac wandcontactdoos (AC output) bevindt zich op de voorzijde van de Atlas. Voor het aansluiten van apparatuur aan de 230 Volt uitgang zijn geen hulpmiddelen nodig. De stekker van het aan te sluiten apparaat wordt eenvoudig in de wandcontactdoos van de Atlas gestoken. Het snoer van het aan te sluiten apparaat mag niet langer zijn dan 25 meter.



De Atlas wordt ernstig beschadigt wanneer op de 230Vac uitgang een andere wisselspanning wordt gezet (bv. van een generator). Deze beschadiging valt niet onder de garantie.

3.3 Bediening

De schakelaar en de indicatie leds bevinden zich op het front van de Atlas, zie afbeelding 3.

De “on” positie

Schakel de Atlas aan door de schakelaar naar de “on” positie te schakelen.

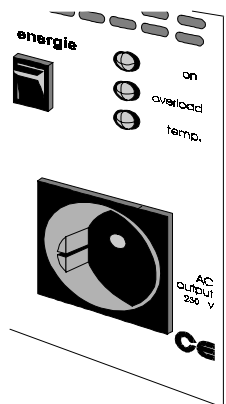
De led “on” gaat branden zodra er een spanning op de uitgang aanwezig is.

Overbelasting

De led “overload” brandt wanneer de Atlas te zwaar overbelast wordt.

Te hoge temperatuur

De led “temperature” gaat branden wanneer de elektronica in de Atlas te warm wordt als gevolg van een te hoge omgevingstemperatuur.



Afbeelding 3. Locatie van de schakelaar en de indicatie leds.

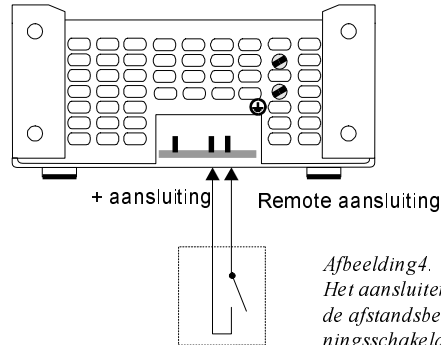
3.4 Onderhoud

De Atlas vereist geen specifiek onderhoud. Een jaarlijkse controle van de elektrische aansluitingen is aan te bevelen. Houd de Atlas zo droog, schoon en stofvrij mogelijk.

4. OPTIES

4.1 Afstandsbediening

Op de Atlas kan een afstandsbediening (remote) voor het aan- en uitschakelen worden aangesloten. De aansluiting wordt gerealiseerd door een schakelaar tussen de klemmen “remote” en “+” te plaatsen, zie afbeelding 4. Bij gesloten schakelaar is de Atlas aangeschakeld.



4.2 Veranderen van de uitgangsspanning



De behuizing van de omvormer mag alleen geopend worden door een bevoegd elektricien. Voordat de behuizing geopend wordt moet de omvormer afgeschakeld worden.



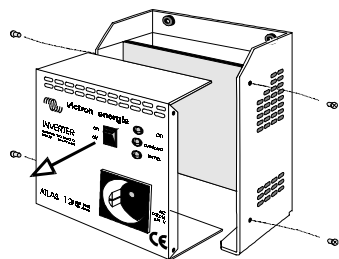
Er staat een gevaarlijke spanning op sommige metalen delen van de componenten in de omvormer.

De uitgangsspanning wordt in de fabriek afgesteld op 225Vac_{rms} bij een belasting van 300 W en 12Vdc (of 24Vdc) ingangsspanning.

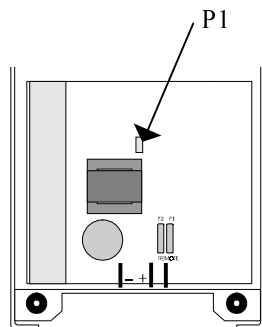
Om de uitgangsspanning te veranderen moet het volgende gedaan worden:

- Open de behuizing door de schroeven aan de linker en rechter zijkant te verwijderen en daarna de kap te verwijderen, zie afbeelding 5.

- Het afregelpunt, potentiometer P1, is op de print van de Atlas te vinden zoals aangegeven in afbeelding 6.
- De uitgangsspanning kan veranderd worden door aan potentiometer P1 te draaien. Meet de uitgangsspanning van de Atlas altijd met een “true RMS” voltmeter.



Afbeelding 5.
Openen van de behuizing.



Afbeelding 6.
Plaats van potentiometer P1 op de print.

5. STORINGEN

In geval van storing kunnen enkele punten gecontroleerd worden. Voordat controles aan de Atlas uitgevoerd worden moet alle apparatuur, aangesloten op de accu-aansluitingen van de Atlas, los gekoppeld worden. Sommige apparatuur, waaronder bepaalde tv's, video's, audio-apparatuur, meetinstrumenten, navigatie-apparatuur, functioneren alleen storingvrij op een sinusvormige spanning.

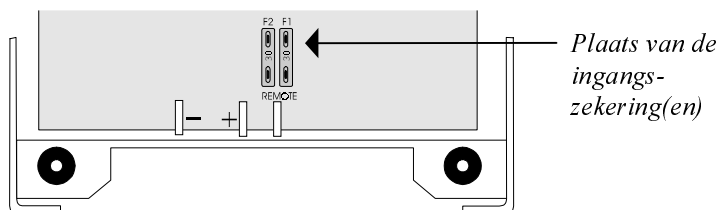
Indien de storing niet verholpen kan worden raadpleeg dan uw Victron Energie-dealer.

Probleem	Mogelijke oorzaak	Oplossing
Nadat de Atlas is aangeschakeld werkt de Atlas niet.	Een te hoge belasting is op de uitgang van de Atlas aangesloten.	Verwijder de belasting van de Atlas.
	De ingangsspanning is te hoog of te laag.	Zorg dat de ingangsspanning binnen de goede waarden komt te liggen. Controleer het spanningsverlies over de accukabels.
	De accukabels zijn niet goed aangesloten of hebben een verkeerde diameter.	Sluit de accukabels goed aan en controleer de kabel-diameter.
	De plus (+) en de min (-) van de Atlas komen niet overeen met de accupolen.	Schakel de Atlas uit en sluit de accu correct op de Atlas aan. Controleer de ingangszekering(en) en vervang deze indien nodig.
De uitgangsspanning is te hoog of te laag.	De uitgangsspanning is met een verkeerde voltmeter gemeten.	Meet de uitgangsspanning met een "true RMS" voltmeter.
	Potentiometer P1 is verkeerd ingesteld.	Regel de uitgangsspanning met potentiometer P1 opnieuw af en controleer of de uitgangsspanning de goede waarde aanneemt, zie hoofdstuk 4.

6. TECHNISCHE SPECIFICATIES

6.1 Ingang

	Atlas 12/300	Atlas24/300
Ingangsspanning nominaal	12 Vdc	24 Vdc
Ingangsspanning bereik	11,0-15,5 Vdc	22,0-30,5 Vdc
Inschakelspanning laag:	11,0 Vdc	22,5 Vdc
hoog:	15,5 Vdc	31,0 Vdc
Uitschakelspanning laag:	9,0 Vdc	19,0 Vdc
hoog:	16,0 Vdc	32,0 Vdc
Spanningsrimpel	Max. 5% RMS	Max. 5% RMS
Ingangsstroom nominaal	27 A	14 A
Ingangsstroom maximaal	89 A	42 A
Nullast	5 W	5 W
Ingangszekeringen	2x 30A autozekering	1x 30A autozekering



6.2 Uitgang

Uitgangsspanning	225 Vac +/- 5% bij 300W
Frequentie	50Hz +/- 0,01Hz.
Uitgangsspanning vorm	Trapezium (gemodificeerde sinus).
Cos phi	0,9 capacitief tot 0,4 inductief.
Nominaal vermogen	300W (cos phi = 1,0) -10°C / + 25°C. Bij een hoge omgevingstemperatuur wordt het vermogen automatisch teruggeregeld.
Tijdelijk max. vermogen	400W gedurende 10 minuten (cos phi = 1)
Rendement	93% (bij 100% belasting, cos phi = 1)

6.3 Beveiligingen

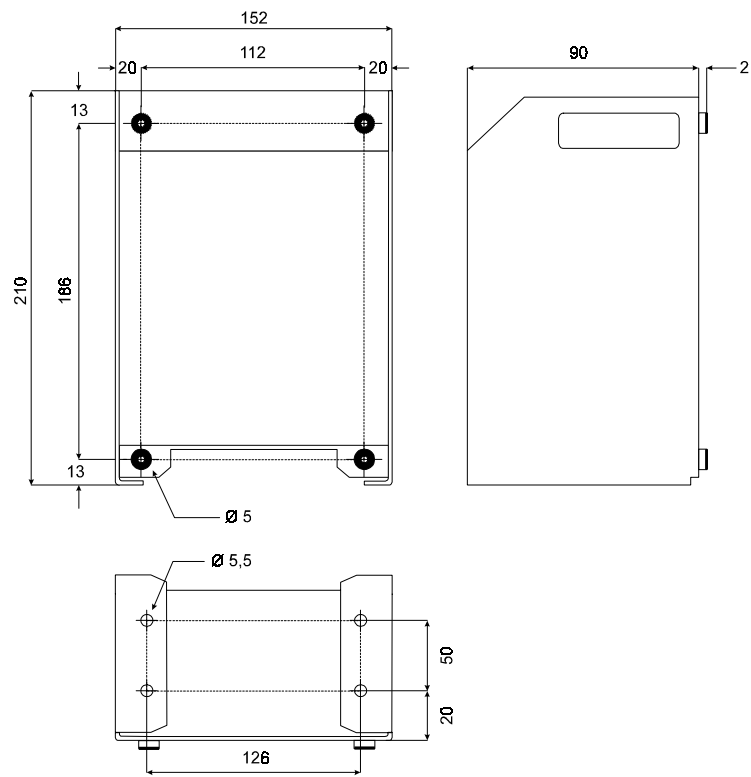
Overbelastingsbeveiliging	De Atlas schakelt na 10 seconden automatisch uit zodra de belasting boven de 450W komt.
Kortsluitbeveiliging	De uitgang is kortsluitvast. De kortsluitstroom aan de ingang is respectievelijk 5,0A (12/300) en 3,0A (24/300).
Temperatuur beveiliging	De temperatuur van kritische onderdelen wordt gemeten. Indien deze te hoog wordt schakelt de Atlas uit. Na afkoeling schakelt de Atlas automatisch weer in.
Hoge/lage ingangsspanningsbeveiliging	De schakelt automatisch uit.

6.4 Normen

EMC	Electro magnetic compability according: Directive 89/336 EEC
Emission product standard	EN55014: 1993
Immunity product standard	EN55104: 1995
Safety standard	EN60950: 1997

6.5 Mechanisch

Kast	Aluminium, zeewaterbestendig
Bescherming	IP 20
Kleur	blauw (RAL 5012), epoxy coating
Afmeting (H x B x D)	210 x 155 x 90 mm
Gewicht	1,45 kg
Aansluitingen	
AC Uitgang:	Wandcontactdoos op de voorzijde
DC Ingang	3,8 x 0,6 mm fastons op print
Aarde	M4 schroef aan de onderzijde
Afstandsbediening	3,8 x 0,6 mm faston op print
Koeling	Natuurlijke koeling zonder ventilator
Geluid	40 dB(A)
Relatieve vochtigheid	maximaal 95%



All sizes in mm
 Alle afmetingen in mm

Stock number:
Dealer:

Victron Energie BV
De Paal 35
1351 JG Almere-Haven
The Netherlands

phone: ** 31 - (0) 36 535 9700
fax: ** 31 - (0) 36 - 531 1666

Article number : MANU0101000
Document number: AT010101
Version : KME 0001
Date : 15 June 1998

Subject to change without notice. * Wijzigingen onder voorbehoud.

